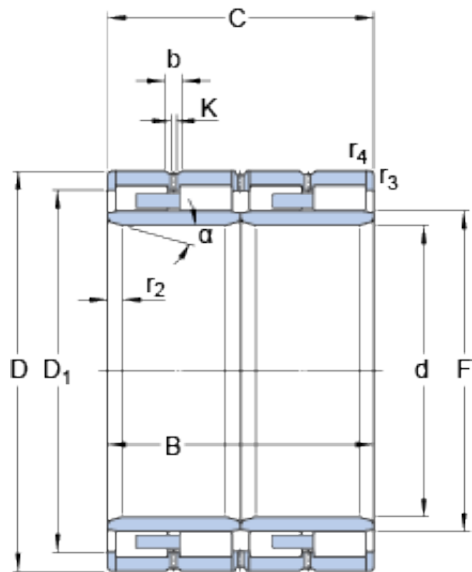




# TOYANA Bearings Brazil Ltd.



420 mm x 600 mm x 440 mm SKF 313513  
Rolamentos cilíndricos

Bearing No. 313513

313513 Bearing 2D drawings and 3D CAD models

Size	600x420x440 mm
Bore Diameter	600 mm
Outer Diameter	420 mm
Width	440 mm
d	420 mm
D	600 mm
B	440 mm
C	440 mm
D <sub>1</sub>	539.3 mm
D <sub>1</sub>	539.3 mm
F	470 mm
b	16.7 mm
K	9 mm
r <sub>1,2</sub> - min.	8 mm
	20 °
r <sub>3,4</sub> - min.	2 mm
Basic dynamic load rating - C	7210 kN
Basic static load rating - C <sub>0</sub>	17600 kN
Fatigue load limit - P <sub>u</sub>	1460 kN
Calculation factor - k <sub>r</sub>	660
Mass bearing	400 kg
Design variant/feature	BC4.8/W33WI
D <sub>1</sub>	539.3 mm
r <sub>1,2</sub> min.	8 mm



## TOYANA Bearings Brazil Ltd.

	20 °
$r_{3,4}$ min.	2 mm
Basic dynamic load rating C	7210 kN
Basic static load rating $C_0$	17600 kN
Fatigue load limit $P_u$	1460 kN
Calculation factor $k_f$	660