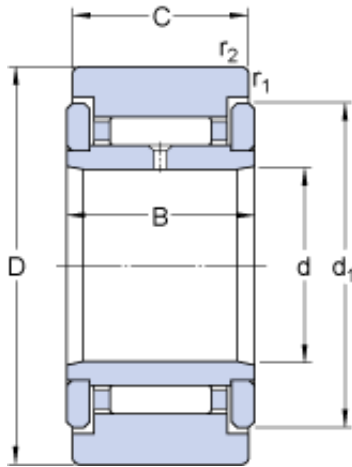




# TOYANA Bearings Brazil Ltd.



## 30 mm x 62 mm x 29 mm SKF NATR 30 X Rolamentos cilíndricos

Bearing No. NATR 30 X

NATR 30 X Bearing 2D drawings and 3D CAD models

Size	30x62x28 mm
Bore Diameter	30 mm
Outer Diameter	62 mm
Width	28 mm
D	62 mm
d	30 mm
C	28 mm
B	29 mm
d <sub>1</sub>	51 mm
r <sub>1,2</sub> - min.	1 mm
Basic dynamic load rating - C	22.9 kN
Basic static load rating - C <sub>0</sub>	37.5 kN
Fatigue load limit - P <sub>u</sub>	4.6 kN
Maximum static radial loads - F <sub>r</sub>	26.5 kN
Maximum static radial loads - F <sub>0r</sub>	38 kN
Limiting speed	1800 r/min
d <sub>1</sub>	51 mm
r <sub>1,2</sub> min.	1 mm
Basic dynamic load rating C	22.9 kN
Basic static load rating C <sub>0</sub>	37.5 kN
Fatigue load limit P <sub>u</sub>	4.55 kN
Maximum dynamic radial loads F <sub>r</sub> max.	26.5 kN



## TOYANA Bearings Brazil Ltd.

Maximum static radial loads $F_{0r \text{ max.}}$	38 kN
Mass support roller	0.47 kg