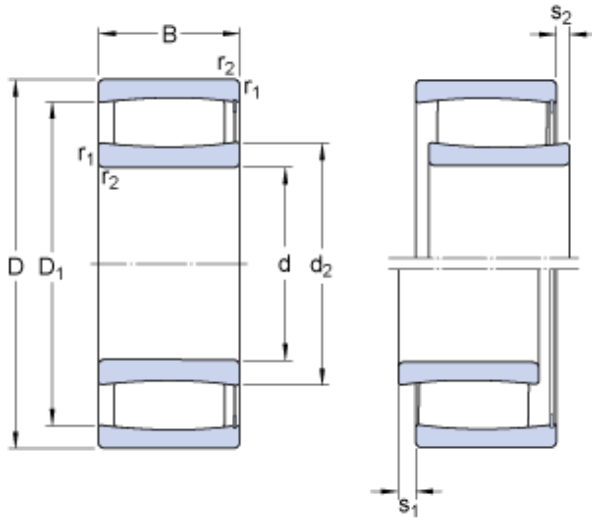




# TOYANA Bearings Brazil Ltd.



120 mm x 200 mm x 80 mm SKF C 4124 V  
Rolamentos cilíndricos

Bearing No. C 4124 V

C 4124 V Bearing 2D drawings and 3D CAD models

Size	200x120x80 mm
Bore Diameter	200 mm
Outer Diameter	120 mm
Width	80 mm
d	120 mm
D	200 mm
B	80 mm
d <sub>2</sub>	140 mm
D <sub>1</sub>	176 mm
s <sub>1</sub>	18 mm
s <sub>2</sub>	11.2 mm
r <sub>1,2</sub> - min.	2 mm
d <sub>a</sub> - min.	131 mm
d <sub>a</sub> - max.	160 mm
D <sub>a</sub> - max.	189 mm
r <sub>a</sub> - max.	2 mm
Basic dynamic load rating - C	780 kN
Basic static load rating - C <sub>0</sub>	1120 kN
Fatigue load limit - P <sub>u</sub>	114 kN
Limiting speed	750 r/min
Factor - k <sub>1</sub>	0.104
Factor - k <sub>2</sub>	0.103
d <sub>2</sub>	140 mm



## TOYANA Bearings Brazil Ltd.

$D_1$	176 mm
$s_1$ max.	18 mm
$s_2$ max.	11.2 mm
$r_{1,2}$ min.	2 mm
$d_a$ min.	131 mm
$d_a$ max.	160 mm
$D_a$ max.	189 mm
$r_a$ max.	2 mm
Basic dynamic load rating C	780 kN
Basic static load rating $C_0$	1120 kN
Fatigue load limit $P_u$	114 kN
Misalignment factor $k_1$	0.104
Operating clearance factor $k_2$	0.103
Mass bearing	10 kg